



HAL
open science

Design and characterisation of an AES chip embedding countermeasures

Michel Agoyan, Sylvain Bouquet, Jean-Max Dutertre, Jacques Jean-Alain Fournier, Jean-Baptiste Rigaud, Bruno Robisson, Assia Tria

► **To cite this version:**

Michel Agoyan, Sylvain Bouquet, Jean-Max Dutertre, Jacques Jean-Alain Fournier, Jean-Baptiste Rigaud, et al.. Design and characterisation of an AES chip embedding countermeasures. International Journal of Intelligent Engineering Informatics, 2011, 3/4, pp.328-347. emse-00624400

HAL Id: emse-00624400

<https://hal-emse.ccsd.cnrs.fr/emse-00624400>

Submitted on 16 Mar 2015

HAL is a multi-disciplinary open access archive for the deposit and dissemination of scientific research documents, whether they are published or not. The documents may come from teaching and research institutions in France or abroad, or from public or private research centers.

L'archive ouverte pluridisciplinaire **HAL**, est destinée au dépôt et à la diffusion de documents scientifiques de niveau recherche, publiés ou non, émanant des établissements d'enseignement et de recherche français ou étrangers, des laboratoires publics ou privés.

Design & characterisation of an AES chip embedding countermeasures

Michel Agoyan¹, Sylvain Bouquet¹, Jean-Max Dutertre², Jacques Fournier*¹,
Jean-Baptiste Rigaud², Bruno Robisson¹, Assia Tria¹

¹ CEA-LETI Minatec

E-mail: surname.name@cea.fr *Corresponding author

² Ecole Nationale Supérieure des Mines de Saint Etienne

E-mail: name@emse.fr

CMPGC, 880 route de Mimet 13541 Gardanne, France

Abstract. In critical communication infrastructures, hardware accelerators are often used to speed up cryptographic calculations. Their resistance to physical attacks determines how secure the overall infrastructure is. In this paper, we describe the implementation and characterisation of an AES accelerator embedding security features against physical attacks. This AES chip is implemented in HCMOS9gp 130nm STM technology. The countermeasure is based on duplication and works on complemented values in parallel. The chip was tested against side channel attacks showing the efficiency of the proposed countermeasure against such attacks. Fault injection tests based on the use of *local* laser shoots showed that the fault detection mechanism did indeed react as expected. However, using clock set-up time violations, 80% of the secret key were retrieved in less than 40 hours, thus illustrating the limits of the duplication counter-measure against a *global* fault attack which was published after the chip was designed.

Advanced Encryption Standard; Side channel analysis; Circuit duplication; Dual representation; Fault detection and propagation; Fault attacks.

1 Introduction

Security in communication systems has become mandatory in many ubiquitous communication infrastructures. Whether it is for the confidentiality, authenticity and integrity of electronic financial transactions or e-government or for the privacy of the end-users, security tools are being massively deployed in equipments like mobile phones or laptops. Moreover, “civil” communication infrastructures are growingly being eyed for the deployment of critical infrastructures: for example in the EU SECRIKOM initiative [*SECRIKOM* (2008)], a secure communication infrastructure is developed over existing “civil” technologies for cross-border crisis management. In such secure infrastructures, the use of a hardware module to manage secret keys, accelerate cryptographic algorithms and manage access rights has been defined. As the security of the system

depends on the security of its weakest link, the security of such hardware modules against physical attacks has become a critical feature for the successful deployment of the secure communication infrastructure.

In this article, we focus on the design of embedded cryptographic accelerators, specially on the countermeasures that can be used to increase their resistance against physical attacks and ways and methods to evaluate the efficiency of such countermeasures. Our case study is based on the implementation and security characterisation of a hardware accelerator for the Advanced Encryption Standard. We propose a new design approach to thwart both side-channel and fault attacks, two of the most dangerous physical attacks against cryptographic implementations. We then describe the physical tests done to evaluate the resistance of the fabricated chip to illustrate the efficiency (against attacks that were known at design time) and limits (against attacks which were not yet published at design time) of the proposed countermeasures. We then discuss about the analysis made out of the test results.

2 Cryptography, physical attacks and counter-measures

2.1 Cryptographic algorithms

Cryptography, as used in protocols like TLS [*OpenSSL* (2000)], can be described as the art of transforming input data, called a *message*, into an output, called a *cipher*, sometimes using a secret *key*: knowing the *cipher*, no information can be inferred about the *message*. There are several types of cryptographic functions. Hash functions transform data of arbitrary length into a *hash* of fixed length [*NIST* (2002)]. Secret Key algorithms use a secret key to encrypt a *message* and the same key to decrypt the corresponding *cipher*: the *message* and *cipher* are of same length which is defined arbitrarily in Stream ciphers (where each bit is encrypted individually) or as blocks of fixed sizes as in Block ciphers (examples of Block ciphers are the DES (Data Encryption Standard) [*NIST* (1993)] or the AES (Advanced Encryption Standard) [*NIST* (2001)]). Asymmetric cryptography or Public Key algorithms use two keys: a *public* one used for encryption and a *private* one used for decryption. Examples of PK algorithms are the RSA [*Rivest et al.* (1978)] and Elliptic Curve Cryptography (ECC) [*Blake et al.* (1999)].

2.2 Attacks & counter-measures

Even though cryptographic algorithms like AES or RSA are mathematically robust, their implementation can be subjected to physical attacks when the attacker has physical access to the security device. We first have *invasive attacks* where the attacker tries to directly observe the signals from within the chip (through techniques like micro-probing) or read the bits from within the memories themselves or to use tools like a FIB (Focussed Ion Beam) to short-circuit some of the security sensors of the circuit or re-connect some other parts which

had intentionally been disconnected for security purposes [Walker and Alibhai-Sanghrajka (2004); Anderson and Kuhn (1997)]. Such attacks, due to their prohibitive cost and destructive nature are of lesser interest to us. We mainly focussed on non-invasive or “semi-invasive” attacks like side channel attacks and fault attacks.

For attacks based on *side channel information leakage*, information about the internal processes of the chip and the data manipulated can be derived by observing external physical characteristics of the chip (like the power consumed or the electromagnetic waves emitted or the time taken by a given process). In *Timing Attacks* [Kocher (1996); Dhem et al. (1998)], by observing the time taken by a “naïve” implementation of a cryptographic algorithm (say RSA), one can determine the bit values of the secret key manipulated. In another class of attack called *Simple Power Analysis*, by observing the power profile of the chip during such a calculation, one can derive information about the secret key bits used. *Power Analysis* attacks were first published in [Kocher et al. (1999)] and since then side channel attacks have been a major concern to the hardware security world. *Differential Power Analysis* mainly targets secret key algorithms based on the fact that for each bit of the secret key, the power consumed by a 0 is different from the power consumed by a 1 (corresponding to the “Hamming Weight”, i.e. the number of ones, leakage model). Later, researchers showed that electromagnetic radiation from a chip could also be used as a source of side-channel [Gandolfi et al. (2001); Quisquater and Samyde (2001)]. Different leakage models have further been proposed when doing differential side channel analysis. For example, “Hamming Distance” (i.e. the number of positions for which the bits have “flipped”) models have been put forward in [Mayer-Sommer (2000)]. *Correlation Power Analysis* or *Mutual Information Analysis* have been proposed to quantitatively test the dependency between the side channel measured and the data being manipulated by a security device [Brier et al. (2004); Gierlichs et al. (2008)].

Another class of attacks are *fault attacks* where an attacker will try to modify the data handled by a chip or corrupt the processor’s execution flow at a specific time of a cryptographic calculation. From the results of a correct execution and those of a corrupted execution, the attacker then tries to retrieve part or all of the secret key by using techniques like *Differential Fault Analysis* (DFA) [Biham and Shamir (1997)]. Such attacks have particularly been tested on block ciphers like AES as described in [Piret and Quisquater (2003); Giraud (2005)]. Another class of attacks called *safe error attacks* consists in the extraction of secret keys from the behaviour of the chip in the presence of a fault [Yen and Joye (2000); Robisson and Manet (2007)]. To inject faults, an attacker can for example generate glitches on the power supply, cause clock set-up time violations on the input clock [Removed for Review] or irradiate the chip with a laser or light source [Skorobogatov and Anderson (2002)]. Fault attacks can also be used to corrupt the correct flow of a program in order to make it take a given branch of the program [Choukri and Tunstall (2005)] or to cause memory dumps.

Several countermeasures have been proposed in the literature. Those which target side channel attacks consist in either reducing the informative signal (i.e. the physical characteristics which are correlated with the sensitive data), or adding noise to blur the measurements. The informative signal has been reduced, for example, by using power filters or electromagnetic shields or by using “balanced” logic. Balancing may consist in rendering the Hamming Weight (HW) of sensitive internal data constant. The 1-out-of-N encoding of these data is a widespread technique to achieve this. The encoding obtained with $N=2$ is called “dual-rail” encoding. This countermeasure approximately doubles the size of chip. Balancing may also consist in rendering the Hamming Distance (HD) of sensitive internal computations constant, for example, by using both the 1-out-of-N encoding and a dedicated communication protocol between the different parts of the circuit. The more widespread ones insert spacers (i.e. a constant value which does not carry information) between values. When the spacer is equal to zero, the protocol is called “return-to-zero” (RTZ). Roughly, this countermeasure halves the performances of the chip by a factor 2. Many implementations attempting to balance HW and HD have been proposed at different levels of abstraction ([*Tiri and Verbauwhede (2003)*; *Soares et al. (2008)*] at gate level, [*Ambrose et al. (2011)*] at the architecture level and even at software level [*Chen et al. (2010)*]). The last step consists in physically balancing the propagation of the encoded values between the different parts of the circuit, for example, by using ad hoc Place and Route (P&R) techniques [*Guilley et al. (2005)*]. A fair comparison between some balancing techniques is proposed in [*Guilley et al. (2010)*]. Moreover noise can be added, for example, by randomizing the order of the instructions, by adding dummy operations or by masking the internal computations that can be predicted by the attacker [*Akkar and Giraud (2001)*; *Tokunaga and Blaauw (2009)*].

The countermeasures against fault attacks consist either in detecting errors during the computation and then taking actions to protect data or in making the circuit less sensitive to fault injections. The detection of error is mainly based on information redundancy either in space (doing the same computation several times in parallel) or in time (repeating the same computation several times) [*Bertoni et al. (2002)*; *Karri et al. (2003)*; *Karpovsky et al. (2004)*]. Several sensors have also been proposed to detect abnormal modifications of the chip’s environment (voltage, temperature, clock frequency, light, etc.). Once a fault has been detected, one reaction may consist in temporarily stopping the communication with the outside (the chip “mutes”) and/or resetting parts of the running software. The ultimate reaction consists in permanently destroying all the (sensitive) data stored in the chip. In order to render the circuit less sensitive to faults, redundancy is mainly used (one thus speaks of “error correction”). But the required level of redundancy is high: the computation has to be performed at least three times.

However, few attempts have been made to propose a solution that thwarts both classes of attacks. Asynchronous design techniques [*Moore et al. (2003)*; *Kulikowski et al. (2006)*; *Bastos et al. (2009)*] have been touted as offering pro-

tection to side-channel and fault attacks because “by construction” they embed RTZ and dual-rail encoding and because the handshake protocol of communication between the different parts of the circuit decrease the susceptibility to fault attacks. The limits of such countermeasures have been reported in [Fournier et al. (2003)].

In our paper, we handle both side channel and fault attacks by proposing an architecture based on duplicated-complemented (also called ‘dual’) data paths applied to the AES algorithm. The dual data paths balance the Hamming Weight and are also used to detect faults.

3 Design of the AES accelerator

3.1 The Advanced Encryption Standard

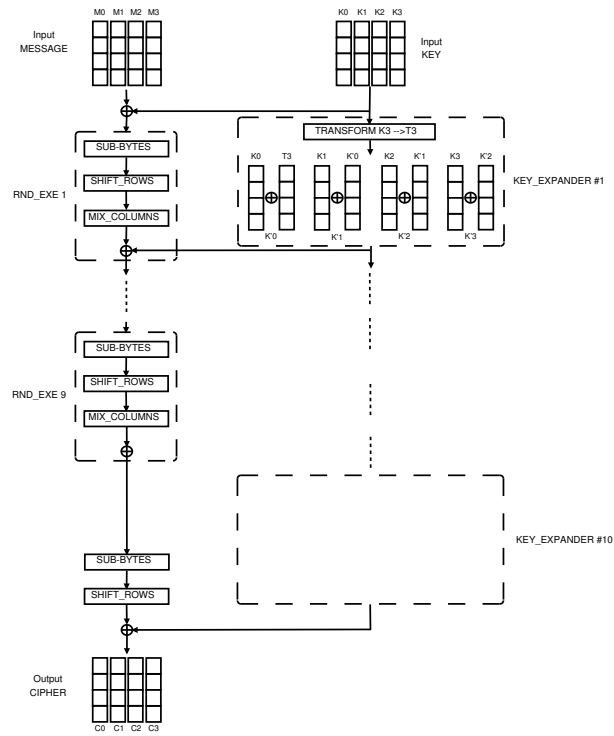


Fig. 1. Structure of the 128-bit AES

The structure of the 128-bit-key AES [NIST (2001)] (or AES-128) is illustrated in Figure 1. The 128-bit data or key are considered as a matrix of 4×4 bytes. The algorithm itself consists of a building block, called RND_EXE executed

iteratively 10 times. The RND_EXE function consists of the following basic operations:

- SUB-BYTES is a non-linear transformation working independently on individual bytes of the matrix consisting of a Galois Field inverse calculation followed by an affine transformation.
- SHIFT_ROWS is a simple rotation operation on each row of the data matrix.
- MIX_COLUMNS is a linear matrix multiplication working on each column where multiplications are done in $GF(2^8)$.
- ADD-RND-KEY, illustrated in Figure 1 by the XOR symbol, consists of a byte-wise XOR between the data matrix and the corresponding sub-key matrix.

Independently from these, the KEY_EXPANDER module iteratively calculates sub-keys for the ADD-RND-KEY function. The KEY_EXPANDER for a key size of 128 bits is shown in the right part of Figure 1. The TRANSFORM operation done on the forth column of the key ($K3$) is detailed in [NIST (2001)].

3.2 Architecture of the TR-AES

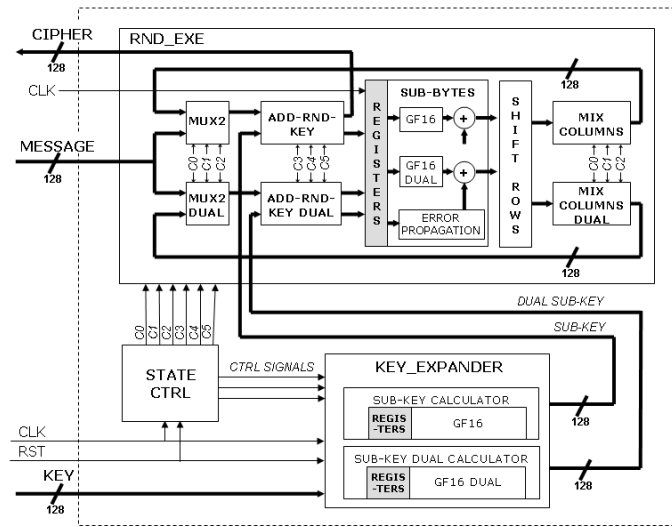


Fig. 2. Architecture of the secure AES chip

Our design (which we shall call the Tamper Resistant AES, TR-AES) aims to protect against both DFA and side channel attacks. In our case, performance prevails over surface as the module was originally designed to encrypt data transfers between two devices. The countermeasure against DFA consists first in detecting errors and then reacting in case of detection. In order to obtain a reasonable fault-coverage for an acceptable surface penalty, we chose, as

suggested in [Malkin *et al.* (2005)], to detect errors by using spatial duplication: the AES-128 is executed twice in parallel. At each step (or round) of the algorithm, the consistency between the results of the two instances of the algorithm is checked. Several reactions in case of attacks have been analysed. For example, we could have returned a constant value instead of the faulty cipher or to return a random value. We have excluded the first solution because we considered that it could open a breach to safe-error attacks and the second because we have no available true random number generator. In order to mimic the effect of such random generator, the chosen strategy of reaction consists in blurring the erroneous cipher-text with the scrambled value of the detected error, as explained in [Joye *et al.* (2007)]. In order to counter side channel attacks, the two different instances of the algorithm are designed such that when a bit of each intermediate value is computed in one instance, the other instance computes the complemented values. This trick creates dual data channels when considering the two instances. One is called the ‘original path’, the other is called the ‘complemented or dual path’. The logic gates used in the two instances are also “complemented”, i.e. the XOR gates from the original path are replaced by XNOR gates. Note also that, because we did not want to reduce the performance of the circuit, we did not insert spacers for balancing the HD. No particular constraints have also been applied during the P&R step.

The resulting architecture is shown in Figure 2. To obtain the best performances, the RND_EXE function, the KEY_EXPANDER are computed in parallel with 128-bit data paths. Each round is executed in one clock cycle. As the consistency of data is tested on the outputs of the SUB-BYTES module (the upper part of Figure 4), the latency of detection of error is also of one clock cycle. Figure 3 details the error detection and propagation. Further spreading of the errors is achieved by cross-changing wires between the original and the dual data paths at the level of the SHIFT_ROWS module. Figure 4 illustrates what happens when an error is generated at the beginning of the last round on one of the data paths.

3.3 The final AES chip

The TR-AES was designed with the standard cells of the HCMOS9gp 130nm STM technology. The TR-AES typically works at 1.20V and its maximum frequency is 50MHz at 27 °C. The resulting die is $1336\mu m \times 1411.8\mu m$ in size, due to the limitation by the 52 pads of the ring (Figure 5). The AMBA APB interface consists of 32 bidirectionnal I/Os and 4 bits of address. The AES functional block itself uses 27000 gates corresponding to an area of $0.165mm^2$ (including the communication interface) which represents an overhead of 67% when compared to a non-secure AES in the same technology (16500 gates). Different analyses have been performed to detect potential security flaws at design-time. The method used to detect weaknesses against side-channel attacks and the results obtained for the TR-AES are described in [Laabidi (2010)]. We have verified that, thanks to the search for correlations between bits in the RTL description of the TR-AES, each bit in the original path is balanced by its dual counterpart.

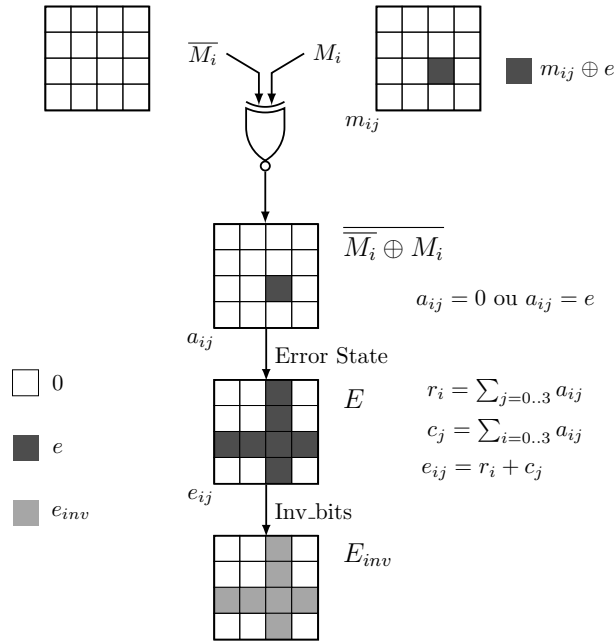


Fig. 3. Error Matrix Calculation

But thanks to this method, we have also detected some very slight differences in the structure of the two instances of the algorithm when they are described at gate level. In order to estimate the associated threat, side channel attacks have been performed on the simulations of the power consumption (obtained with simple toggle counts). These simulations showed that the tiny difference which may appear on the power consumption of the two instances of the algorithm are mainly due to the difference of delay of propagation of a bit and its dual counterpart. Manual modifications of the design at gate level have been done in order to suppress these differences: for example we made sure the entities of both data paths were synthesized using the same types of logic gates.

4 Side-channel analysis of the AES

We first tested the TR-AES chip against side channel attacks. To start with, we took a quick look at what the standard deviation of the measured side-channel curves looked like: Figure 6 shows that while we have significant variations during the data transfers (that of the cipher for example), the variations seen during the AES calculation itself is close to “noise” levels. This was the first hint that our design choices reduced side channel information leakage.

We observed both the power consumed and the EM waves emitted by the TR-AES during an encryption process and we tried to carry correlation analysis (CPA/CEMA) [Brier et al. (2004); Gandolfi et al. (2001)]: for each byte

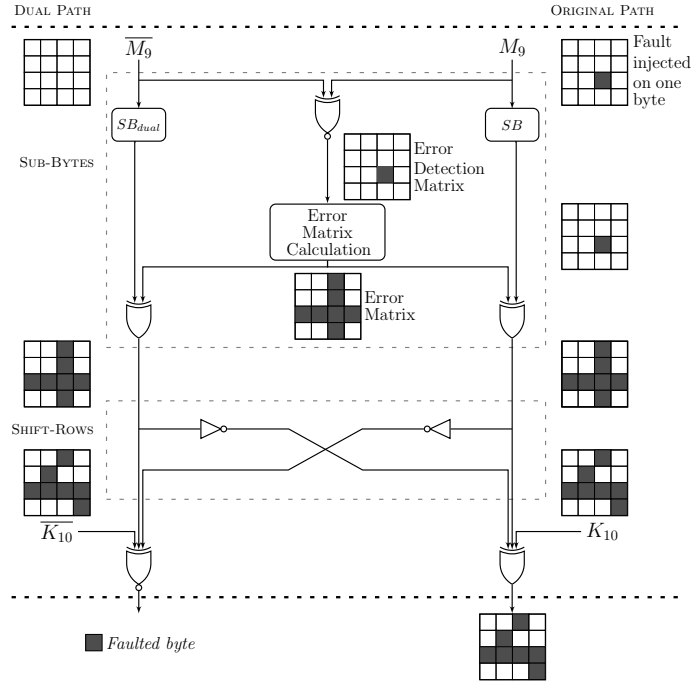


Fig. 4. Fault on one ‘data path’ is generated & propagated

of the intermediate data matrix of 4×4 bytes, we calculate correlation curves between the power/EM traces and the Hamming Weight of the intermediate values (analyses were done both for intermediate values output from the first ADD-RND-KEY and of the SUB-BYTES of the first round) for each of the 256 possible values of the sub-key byte. When the attack works (on a non protected AES implementation for example), the correct sub-key byte is thus obtained for the correlation curve which has the highest peak compared to the other ones (Figure 7). On the TR-AES, despite using a large number of curves (approximately 1,000,000 acquisitions), no significant data dependant leakage has been found (Figure 8).

Concerning the EM measurements, they were done in a more localised way, providing curves with better signal-to-noise ratios than for power measurements. We used a horizontal probe with a diameter of $150\mu m$. We first identified the regions of the chip where the most significant data dependant variances were seen in the measured EM waves. For each of those regions, we carried Correlation EMA attacks.

We further tried different leakage models (for example targeting bits or bytes of the secret keys) but in vain. Those results illustrate the efficiency of the “dual” data representation of the TR-AES against power and EM attacks which have been proven to work on non-secure implementations of the AES.

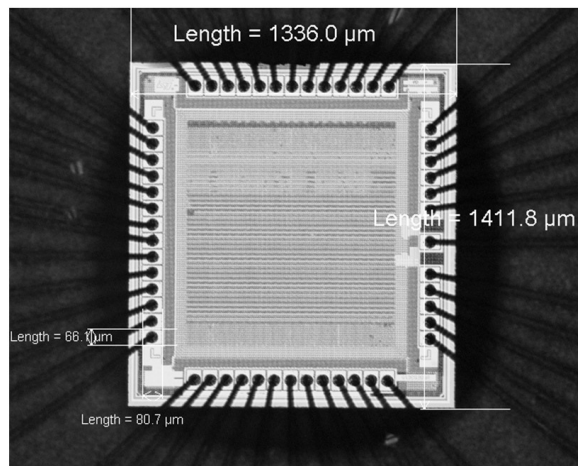


Fig. 5. Picture of the fabricated AES chip

5 Resistance of the AES against fault attacks

5.1 Local laser-based fault injection attacks

We also tested the TR-AES against fault attacks. The first injection means used is a green laser source whose wavelength ($532nm$) has proven to be efficient for front-side injections [Agoyan *et al.* (2010a)]. Preliminary tests were done with the energy set close to its minimum available value in the nano-Joule range to avoid damaging the chip and also to try to generate the least number of errors. The spot size was set around $50\mu m$ to allow a quick inspection of the chip area. Depending on the spatial and the temporal location of the laser shoot, different behaviours were observed. When the state machines of the AES module itself or the communication interface were affected, the communication with the chip was lost. Hitting the `RND_EXE` or `KEY_EXPANDER` modules lead to the output of massively faulted cipher-texts. To gain more insight into how to fine-tune precisely the laser energy and spot size to obtain faults restrained to a single byte, we targeted the last round. Even though there are, to our best knowledge, no published attacks on faults injected during the last AES round, these experiments allowed us to obtain the settings enabling the injection of single byte faults (a spot size of $6 - 12\mu m$ and an energy between 0.2 and 5 nJ) and the location of the design's sensitive areas. To establish the efficiency of the detection mechanism, the laser pulses were operated in the time range of the penultimate AES round and on areas of the die corresponding to the `ADD-RND-KEY` and to the input registers of the `SUB-BYTES` module (see Figure 2).

We practically produced the effect illustrated in Figure 4: fault detection and error spreading. The laser injected faults (even single bit faults in some cases) during the AES calculation but the error was spread by our mechanism:

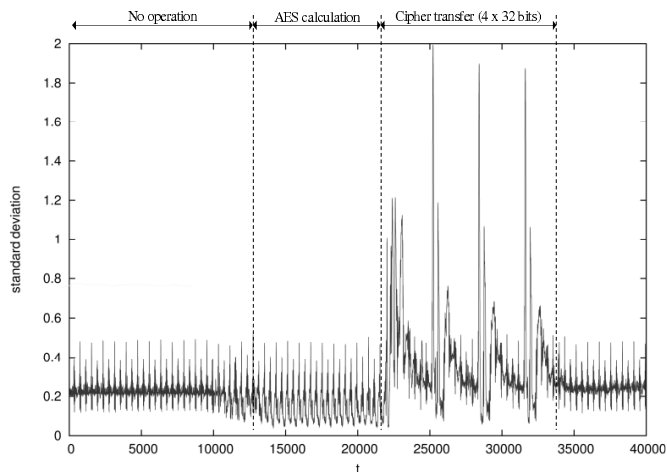


Fig. 6. Standard deviation on power curves for 1000 different messages

faults induced into one byte of the intermediate values at the beginning of a given round are spread across at least seven other bytes at the end of the same round. However, the actual implementation suffers from a flaw: six out of the seven faulty bytes will reveal the original fault itself (in reverse bit order) when XORing with the correct cipher-text. That information leakage may ease the recovery of the secret key. Nevertheless, as stated in Section 3.2, what we intended to validate is the efficiency of the detection mechanism. To proceed, more than 5,000 injection experiments were carried out on the `RND_EXE` and `KEY_EXPANDER` modules during the ante-penultimate and penultimate rounds. None of the obtained faults was able to defeat the detection mechanism. This validates the efficiency of our countermeasure’s detection mechanism against laser induced faults.

5.2 Global clock-glitch-based fault injection attacks

Since the TR-AES chip works with an external clock, we chose to stress-test the circuit using the clock set-up time violation fault injection technique described in [Agoyan *et al.* (2010b)]: we decrease the clock period at a targeted cycle in order to corrupt the execution of one particular round of the AES. This faulty clock is generated using the embedded Delay Locked Loop (DLL) of a Xilinx Virtex 5 FPGA. Two clocks (`clkd1` and `clkd2`) with programmable skews are generated from the original 50MHz clock (`clk`) and the resulting faulty period is a combination of `clkd2`’s rising edge and `clkd1`’s falling edge (Figure 9). The generated clock’s skew ΔT varies from 0 to $\Delta T_{max} = 9804ps$ by steps of $\delta T = 76ps$ (the DLL’s smallest elementary delay). Hence, the period of the faulty

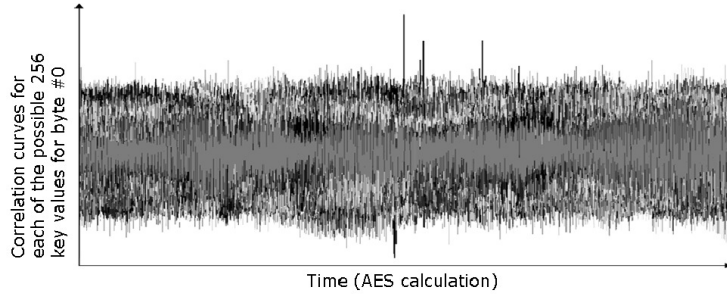


Fig. 7. Correlation curves obtained from a CPA on a non-protected AES

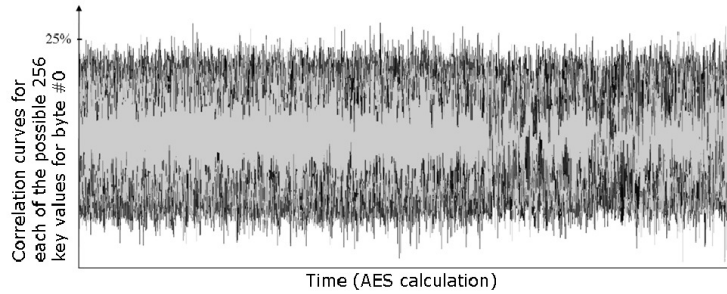


Fig. 8. Correlation curves obtained from CPA on our secure AES

clock cycle varies between $10.196ns$ and $20ns$. In [Agoyan et al. (2010b)], the authors generated single bit faults on a non-secure FPGA implementation of the AES by modifying the duration of the skew.

In order to exploit the generation of single bit faults on AES, we used two differential fault cryptanalysis techniques where bytes of the 10^{th} sub-key were found. In the first one described in [Giraud (2005)], the attacker has to inject only one bit error at the end of the 9^{th} (one before last) round of the AES. Then by using the expected cipher-text and the corrupted one, bits of the secret keys can be found. For a given byte, with 3 corrupted cipher-texts, the corresponding sub-key byte is found with a probability of 99%. The second technique is given in [Piret and Quisquater (2003)]. There, a single byte fault has to be injected at the end of the 8^{th} round of the AES such that the correct cipher-text and the faulty one differ by four bytes. With two faulty cipher-texts (resulting from the same intermediate state corrupted by faults injected on the same column), there are 97% chances of retrieving the corresponding column's secret sub-key. The TR-AES's error detection and spreading mechanism was initially designed to defeat these two differential cryptanalysis schemes.

For those two techniques to work on the TR-AES, we need to 'bypass' the error detection. To achieve this, corresponding "dual" errors have to be generated on the 'original' and the 'dual' data paths as shown in Figure 10. Conse-

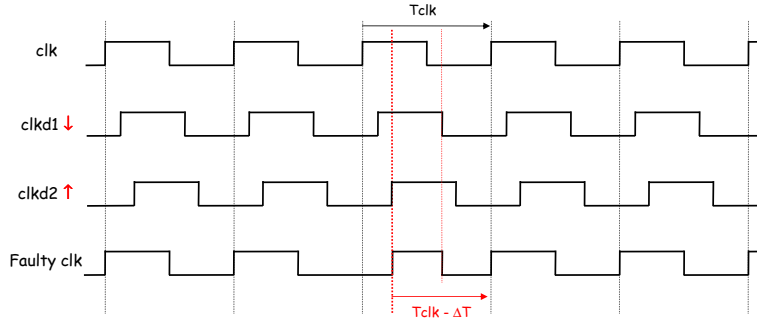


Fig. 9. Faulty clock generation

quently the error matrix is null, the error is not detected and at the end of the attacked round, only one byte is corrupted. A fault is hence generated and yet not detected by the countermeasure.

We used the DLL-based clock set-up time violation board to inject the desired faults. The attack scenario used is given in Figure 11: for each of the different N random messages M , the skew on a ‘specific’ clock cycle (corresponding to a round) is increased until the ‘attack condition’ is satisfied. In the case of Giraud’s attack, the clock skew is inserted during the 9^{th} round and the ‘attack condition’ corresponds to having a faulty cipher-text with only one corrupted byte. Out of $N=60,000$ executions, done in 36 hours, 235 cipher-texts had one faulty byte and among these, 6 different bytes locations were impacted. This approach revealed bytes 5, 7, 8, 9 and 10 of the AES 10^{th} sub-key and reduced to 3 the number of possibilities for the 1^{st} one. For the Piret-Quisquater’s attack, the skew is inserted during the 8^{th} round and the ‘attack condition’ corresponds to having an entire column of the cipher-text impacted. We played 20,000 scenarios (in 13 hours), 9 of which induced four-byte errors on a column but only six were exploitable for the attack. We hence found bytes 2, 3, 4, 5, 6, 7, 9, 10, 12, 13, 15 and 16 of the 10^{th} sub-key. By combining the results from both attacks we got 13 bytes of the 10^{th} sub-key and had only 3 possibilities for a 14^{th} one. The remaining sub-key bits could then be found using $3 \times 2^8 \times 2^8$ brute force searches. With the 10^{th} sub-key, the original secret key can be calculated by executing the iterative `KEY_EXPANDER` in the reverse order.

6 Discussion

The TR-AES’s error detection and spreading mechanism was supposed to offer a full fault resistant countermeasure. It was based on the assumption that it was impossible to inject simultaneously the same fault (to be more specific, complemented faults) on the ‘original’ data path and on the ‘dual’ one. A first set of experiments, with a laser as a fault injection means, proves this assumption to be correct. This result was due to the nature of the laser beam we used, which had only a local effect on the AES chip. However, our detection mech-

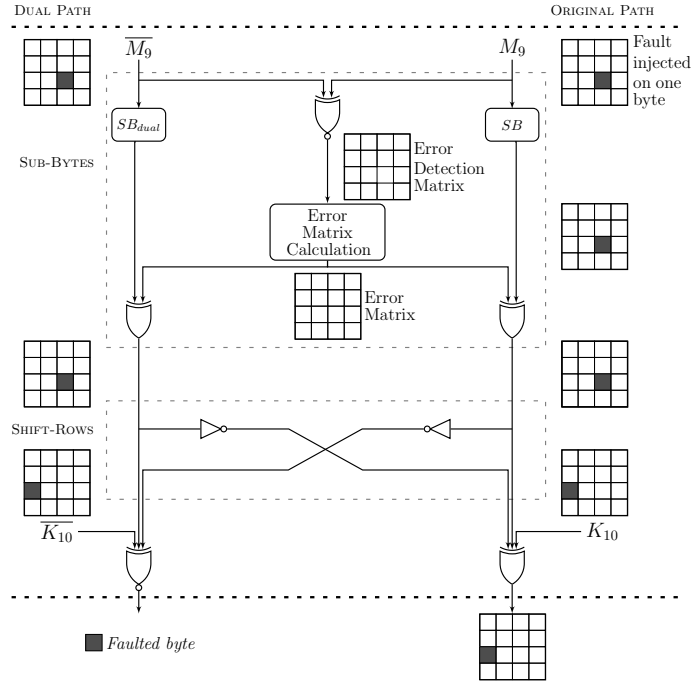


Fig. 10. Faults generated on both paths without detection nor propagation

anism was defeated by the use of a fault injection means with a global effect: glitching the clock to induce timing constraint violations. We originally thought that it was impossible to inject the same fault in both paths. Nevertheless, we have obtained, with a success rate of 4 in 10000, faulty cipher-texts where the detection mechanism did not work. These faulty cipher-texts were successfully used to recover the secret key according the aforementioned DFA schemes. As a consequence, a new series of experiments was conducted to monitor the propagation delays (i.e. the critical times) of the original and dual data paths. The experimental scheme was based on the one described in Figure 11, with the following differences: at each iteration, both the plain-text and key were changed randomly, the ‘attack condition’ corresponding to the appearance of the first single bit fault, N was set to 50,000, and the clock glitch was injected during the penultimate round. Knowing the TR-AES architecture and both the key and the plain-text, we were able to calculate from the resulting cipher-texts the faults actually induced and their locations. Among them, 27,715 were single bit faults, and as a consequence, their corresponding times of occurrence gave the critical times corresponding to the handled data. The critical times of both original (left part) and dual (right part) data paths are reported in the bar diagrams of Figure 12.

In both diagrams, the critical times are distributed on the same time range of 11,500 to 13,100 ps. These distributions almost follow a Gaussian law. These

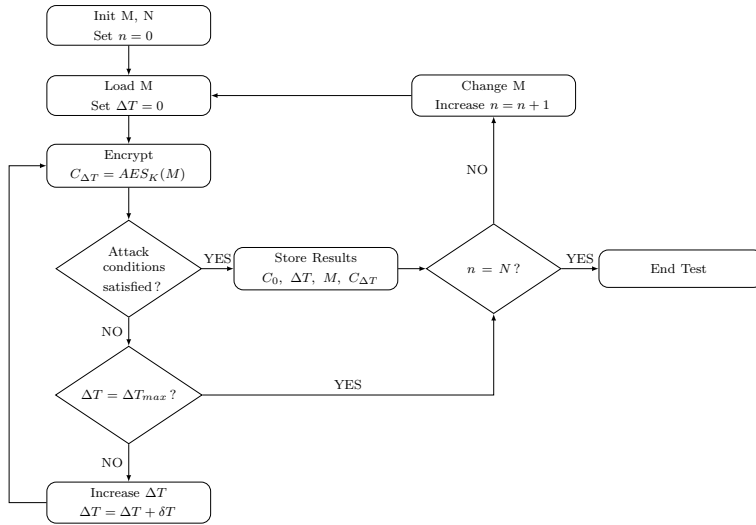


Fig. 11. Attack scheme for Giraud's & Piret-Quisquater's attacks

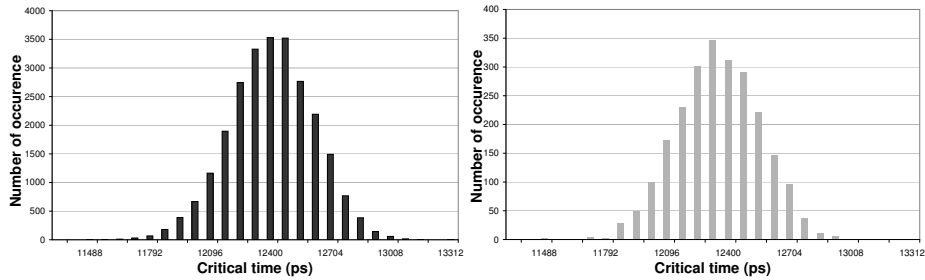


Fig. 12. Number of measurements versus critical times for the original (left part, dark grey) and dual (right part, light grey) data paths

plots reflect the data dependence of the propagation delays through logic gates. The two distributions appearing on the same time range, it appears obvious that we were able to inject single bit faults simultaneously on both data paths. Then, from a statistical point of view, part of these faults had to be injected on the same bytes locations (one draw out of 16) and actually to be the same (one draw out of 255). This also reveals that the design of both data paths benefits from a good timing equilibrium. We think that this observation can account for the resistance of the chip to side channel attacks.

However, we call the reader's attention to the scales of the y-axis: that of the original data path is 10 times that of its dual counterpart (Figure 12). We expected them to be identical if the critical times of the two paths were the same. The critical time was reached 25,353 times in the 'original' path and 2,362 times in the 'dual' one. We explain this by a shadowing effect from the original data path on its complemented counterpart while measuring the critical time experi-

mentally, the latter path having smaller critical times. We have mathematically tested this hypothesis by considering that both data paths have Gaussian distributions. Figure 13 illustrates a model of the critical times distributions that correspond to the results of Figure 12. This figure was drawn assuming that we were able to measure both data paths' propagation delays without suffering from the shadowing effect. The critical times' Gaussian distribution of the original data path has a mean of 12,400 ps, whereas the dual one has a mean of 11,850 ps. Their standard deviations are also different: 226 and 350 ps respectively for the original and dual data paths. The difference of their means, which is 550 ps, explains the shadowing effect.

The countermeasure would have been efficient against 'global' fault attacks if the two distributions did not intersect. However, such a modification would break the equilibrium between the propagations delays, and as a consequence would probably make side channel attacks feasible. This shows that there is here a contradiction between hardening a design against 'global' fault injection and protecting it against side channel attacks.

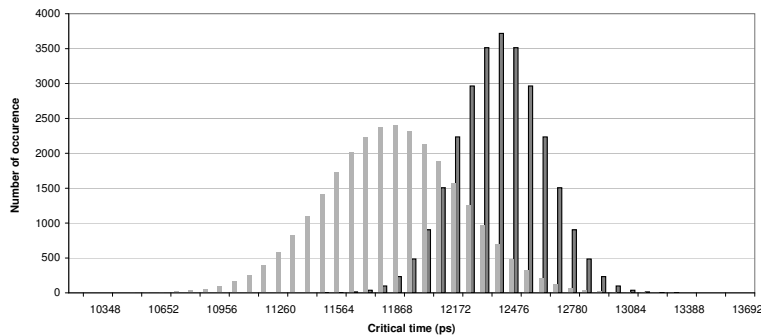


Fig. 13. Rebuild of the distributions of the critical times of the original (dark grey) and dual (light grey) data paths according a Gaussian law (without shadowing effect).

7 Conclusion

This paper describes an ASIC AES chip having a complemented duplicated implementation which constitutes a countermeasure against both fault attacks (detection via duplicated data paths and spreading of errors rendering the faulty cipher-text useless to DFA) and side-channel attacks (working on complemented data in parallel). Other design techniques like asynchronous circuits or Dual-Rail (DR) encoding have tried to tackle both kinds of attacks in the same way. Our approach is more cost efficient (only 67% overhead in our case on the whole chip) and our tests show significant robustness to attacks (against side-channel attacks and against 'local' laser fault attacks), which is not the case for the others when referring to [Fournier et al. (2003)]. However, using clock set-up

time violations, we showed that such a counter-measure is not enough to protect against fault injections. With Giraud's and Piret-Quisquater's techniques, 13 out of 16 secret key bytes were retrieved in less than 40 hours. It is, to our best knowledge, the first reported practical results on an AES ASIC chip showing that fault detection based on duplication can be defeated using low cost techniques. This counter-measure was designed to resist to a laser beam fault injection, which has a local effect, as opposed to a stress induced by a clock glitch which has a global effect on both data paths. In the light of the data retrieved from the fault attacks described in this paper, we believe that combined side-channel and fault attacks can be carried on such a design as further investigation.

Acknowledgements

This work was funded by the SECRICOM project (EC FP7-SEC-2007 grant 218123).

Bibliography

- Agoyan, M., J.-M. Dutertre, A.-P. Mirbaha, D. Naccache, A.-L. Ribotta, and A. Tria, How to flip a bit?, in *Proceedings of the 16th International On-Line Testing Symposium (IOLTS)*, pp. 235–239, IEEE, 2010a.
- Agoyan, M., J.-M. Dutertre, D. Naccache, B. Robisson, and A. Tria, When clocks fail: on critical paths and clock faults, in *Proceedings of the 9th Smart-card Research and Advanced Application Conference (CARDIS'10)*, edited by J.-L. L. Julien Iguchi-Cartigny, Dieter Gollmann, vol. LNCS, pp. 182–193, Springer-Verlag, Germany, 2010b.
- Akkar, M.-L., and C. Giraud, An Implementation of DES and AES, Secure against Some Attacks, in *Proceedings of the 3rd International Workshop on Cryptographic Hardware and Embedded Systems (CHES'01)*, edited by Çetin Koç, D. Naccache, and C. Paar, vol. 2162 of LNCS, pp. 309–318, Springer-Verlag, Paris, France, 2001.
- Ambrose, J., R. Ragel, S. Parameswaran, and A. Ignjatovic, Multiprocessor information concealment architecture to prevent power analysis-based side channel attacks, *Computers Digital Techniques, IET*, 5(1), 1–15, 2011.
- Anderson, R., and M. Kuhn, Low Cost Attacks on Tamper-Resistant Devices, in *Security Protocols 5th International Workshop*, edited by M. Lomas and al, no. 1361 in LNCS, pp. 125–136, Springer-Verlag, Paris, France, 1997.
- Bastos, R. P., Y. Monnet, G. Sicard, F. L. Kastensmidt, M. Renaudin, and R. Reis, Comparing transient-fault effects on synchronous and on asynchronous circuits., in *IOLTS'09*, pp. 29–34, 2009.
- Bertoni, G., L. Breveglieri, I. Koren, P. Maistri, and V. Piuri, A parity code based fault detection for an implementation of the advanced encryption standard, in *DFT '02: Proceedings of the 17th IEEE International Symposium on Defect and Fault-Tolerance in VLSI Systems*, pp. 51–59, IEEE Computer Society, Washington, DC, USA, 2002.
- Biham, E., and A. Shamir, Differential Fault Analysis of Secret Key Cryptosystems, in *Proceedings of the 17th International Advances in Cryptology Conference – CRYPTO'97*, no. 1294 in LNCS, pp. 513–525, 1997.
- Blake, I., G. Seroussi, and N. Smart, *Elliptic Curves in Cryptography*, vol. 265 of *Lecture Note Series*, London Mathematical Society, 1999.
- Brier, E., C. Clavier, and F. Olivier, Correlation Power Analysis with a leakage model, in *Proceedings of the Workshop on Cryptographic Hardware and Embedded Systems (CHES 2004)*, edited by M. Joye and J.-J. Quisquater, vol. 3156 of *Lecture Notes in Computer Science*, pp. 16–29, Springer-Verlag, 2004.
- Chen, Z., A. Sinha, and P. Schaumont, Implementing virtual secure circuit using a custom-instruction approach, in *Proceedings of the 2010 international conference on Compilers, architectures and synthesis for embedded systems*, CASES '10, pp. 57–66, ACM, New York, NY, USA, 2010.
- Choukri, H., and M. Tunstall, Round Reduction Using Faults, in *2nd Workshop on Fault Diagnosis and Tolerance in Cryptography (FDTC 05)*, pp. 13–24, Edinburgh, Scotland, 2005.

- Dhem, J.-F., F. Koene, P.-A. Leroux, P. Mestré, J.-J. Quisquater, and J.-L. Willems, A Practical Implementation of the Timing Attack, in *Proceedings of the 3rd Smart-card Research and Advanced Application Conference (CARDIS'98)*, edited by J.-J. Quisquater and B. Schneier, no. 1820 in LNCS, pp. 167–182, Springer-Verlag, UCL, Louvain-la-Neuve, Belgium, 1998.
- Fournier, J. J., S. Moore, H. Li, R. Mullins, and G. Taylor, Security Evaluation of Asynchronous Circuits, in *Proceedings of the 5th International Workshop on Cryptographic Hardware and Embedded Systems (CHES'03)*, edited by C. Walter and al., no. 2779 in LNCS, pp. 137–151, Springer-Verlag, Cologne, Germany, 2003.
- Gandolfi, K., C. Mourtel, and F. Olivier, Electromagnetic Analysis: Concrete Results, in *Proceedings of the 3rd International Workshop on Cryptographic Hardware and Embedded Systems (CHES'01)*, edited by Çetin Koç, D. Naccache, and C. Paar, vol. 2162 of LNCS, pp. 251–261, Springer-Verlag, Paris, France, 2001.
- Gierlichs, B., L. Batina, P. Tuyls, and B. Preneel, Mutual Information Analysis - A Generic Side-Channel Distinguisher, in *Cryptographic Hardware and Embedded Systems - CHES 2008*, edited by E. Oswald and P. Rohatgi, vol. 5154 of *Lecture Notes in Computer Science*, pp. 426–442, Springer-Verlag, Washington DC, US, 2008.
- Giraud, C., DFA on aes, in *Advanced Encryption Standard - AES*, edited by H. Dobbertin, V. Rijmen, and A. Sowa, vol. 3373 of *Lecture Notes in Computer Science*, pp. 27–41, Springer Berlin / Heidelberg, 2005.
- Guilley, S., P. Hoogvorst, Y. Mathieu, and R. Pacalet, The “backend duplication” method, in *CHES'05*, pp. 383–397, 2005.
- Guilley, S., L. Sauvage, F. Flament, V.-N. Vong, P. Hoogvorst, and R. Pacalet, Evaluation of power constant dual-rail logics countermeasures against DPA with design time security metrics, *IEEE Trans. Computers*, 59(9), 1250–1263, 2010.
- Joye, M., P. Manet, and J.-B. Rigaud, Strengthening Hardware AES Implementations against Fault Attack, *IET Information Security*, 1, 106–110, 2007.
- Karpovsky, M. G., K. J. Kulikowski, and A. Taubin, Robust protection against fault injection attacks on smart cards implementing the Advanced Encryption Standard, in *2004 International Conference on Dependable Systems and Networks (DSN 2004)*, pp. 93–101, IEEE Computer Society, 2004.
- Karri, R., G. Kuznetsov, and M. Goessel, Parity-Based Concurrent Error Detection of Substitution-Permutation Network Block Ciphers, in *Proceedings of the 5th International Workshop on Cryptographic Hardware and Embedded Systems (CHES'03)*, edited by C. Walter and al., no. 2779 in LNCS, pp. 113–124, Springer-Verlag, Cologne, Germany, 2003.
- Kocher, P., Timing Attacks on Implementations of Diffie-Hellman, RSA, DSS and other systems, in *Proceedings of Advances in Cryptology (CRYPTO'96)*, LNCS, pp. 104–113, Springer-Verlag, 1996.
- Kocher, P., J. Jaffe, and B. Jun, Differential Power Analysis, in *Proceedings of the 19th International Advances in Cryptology Conference (CRYPTO'99)*, no. 1666 in LNCS, pp. 388–397, Springer-Verlag, 1999.

- Kulikowski, K., A. Smirnov, and A. Taubin, Automated design of cryptographic devices resistant to multiple side-channel attacks, in *Proceedings of 8th Workshop on Cryptographic Hardware and Embedded Systems (CHES'06)*, edited by L. Goubin and M. Matsui, no. 4249 in LNCS, Springer-Verlag, Yokohama, Japan, 2006.
- Laabidi, S., Méthodologie de conception de composants intégrés protégés contre les attaques par corrélation, Ph.D. thesis, Ecole Nationale Supérieure des Mines de Saint-Etienne, 2010.
- Malkin, T. G., F.-X. Standaert, and M. Yung, A comparative cost/security analysis of fault attack countermeasures, in *Second Workshop on Fault Detection and Tolerance in Cryptography*, pp. 109–123, Edinburgh, UK, 2005.
- Mayer-Sommer, R., Smartly analyzing the simplicity and the power of simple power analysis on smartcards, in *Proceedings of the 2nd International Workshop on Cryptographic Hardware and Embedded Systems (CHES'00)*, edited by C. Koc and C. Paar, no. 1965 in LNCS, pp. 78–92, Springer-Verlag, Worcester, USA, 2000.
- Moore, S., R. Anderson, R. Mullins, G. Taylor, and J. Fournier, Balanced self-checking asynchronous logic for smart card applications, *Microprocessors and Microsystems Journal (IEEE)*, 27(9), 421–430, 2003.
- NIST, Data Encryption Standard (DES), *Tech. Rep. FIPS PUB 46-2*, Federal Information Processing Standards, 1993.
- NIST, Specification for the Advanced Encryption Standard, *Tech. Rep. FIPS PUB 197*, Federal Information Processing Standards, 2001.
- NIST, Secure Hash Standard, *Tech. Rep. FIPS PUB 180-2*, Federal Information Processing Standards, 2002.
- OpenSSL, Cryptographic libraries for OpenSSL, <http://www.openssl.org/docs/crypto/crypto.html>, 2000.
- Piret, G., and J.-J. Quisquater, A Differential Fault Attack Technique against SPN Structures, with Application to the AES and KHAZAD, in *Proceedings of the 5th International Workshop on Cryptographic Hardware and Embedded Systems (CHES'03)*, edited by C. W. et al, no. 2779 in LNCS, pp. 77–88, Springer-Verlag, 2003.
- Quisquater, J.-J., and D. Samyde, Electromagnetic Analysis (EMA): Measures and countermeasures for smart cards, *Smart Card Programming and Security (e-smart 2001)*, LNCS(2140), 200–210, 2001.
- Rivest, R. L., A. Shamir, and L. Adleman, A method for obtaining digital signatures and public-key cryptosystems, *Communications of the ACM*, 21(2), 120–126, 1978.
- Robisson, B., and P. Manet, Differential behavioral analysis, in *CHES*, edited by P. Paillier and I. Verbauwhede, vol. 4727 of *Lecture Notes in Computer Science*, pp. 413–426, Springer, 2007.
- SECRICOM, Seamless communication for crisis management, <http://www.secricom.eu/menu-objectives>, 2008.
- Skorobogatov, S., and R. Anderson, Optical Fault Induction Attacks, in *Proceedings of the Workshop on Cryptographic Hardware and Embedded Systems (CHES 2002)*, edited by B. Kaliski and al., no. 2533 in LNCS, pp. 2–12, Springer-Verlag, 2002.

- Soares, R., N. Calazans, V. Lomné, P. Maurine, L. Torres, and M. Robert, Evaluating the robustness of secure triple track logic through prototyping, in *Proceedings of the 21st annual symposium on Integrated circuits and system design*, SBCCI '08, pp. 193–198, ACM, New York, NY, USA, 2008.
- Tiri, K., and I. Verbauwhede, Securing Encryption Algorithms against DPA at the Logic Level: Next Generation Smart Card Technology, in *Proceedings of the 5th International Workshop on Cryptographic Hardware and Embedded Systems (CHES'03)*, edited by C. Walter and al., no. 2779 in LNCS, pp. 125–136, Springer-Verlag, Cologne, Germany, 2003.
- Tokunaga, C., and D. Blaauw, Secure aes engine with a local switched-capacitor current equalizer, in *Solid-State Circuits Conference - Digest of Technical Papers (ISSCC 2009)*, IEEE International, pp. 64–65, San Francisco, USA, 2009.
- Walker, J. F., and A. Alibhai-Sanghrajka, Using FIB to hack security chips, *European Focused Ion Beam Users Group (EFUG 2004) presentation*, <http://www.imec.be/efug/EFUG20h.html>, 2004, SiVenture, Maidenhead, UK.
- Yen, S.-M., and M. Joye, Checking before output may not be enough against fault-based cryptanalysis, *IEEE Transactions on Computers*, 49(9), 967–970, 2000.